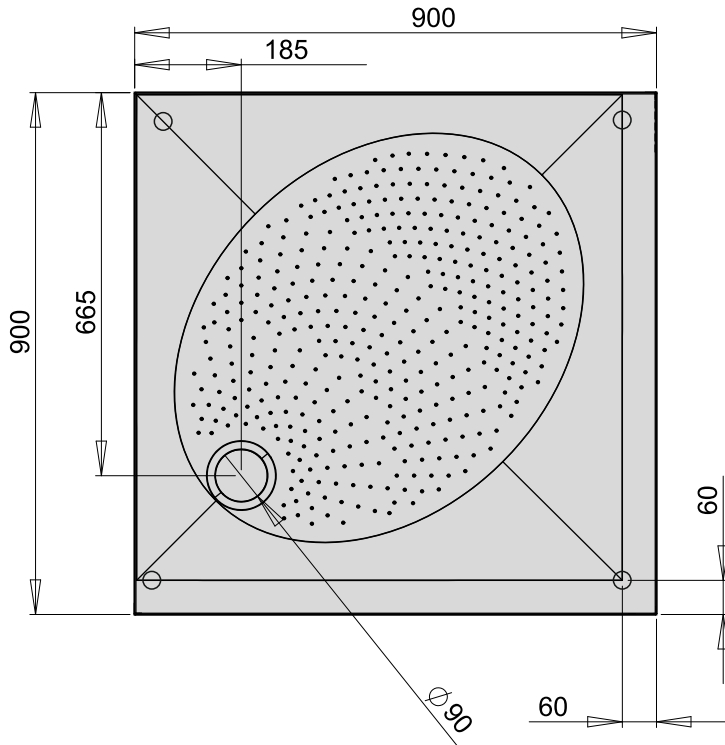
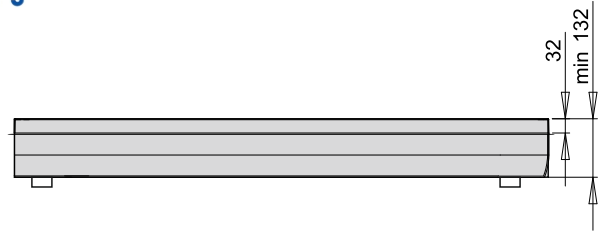
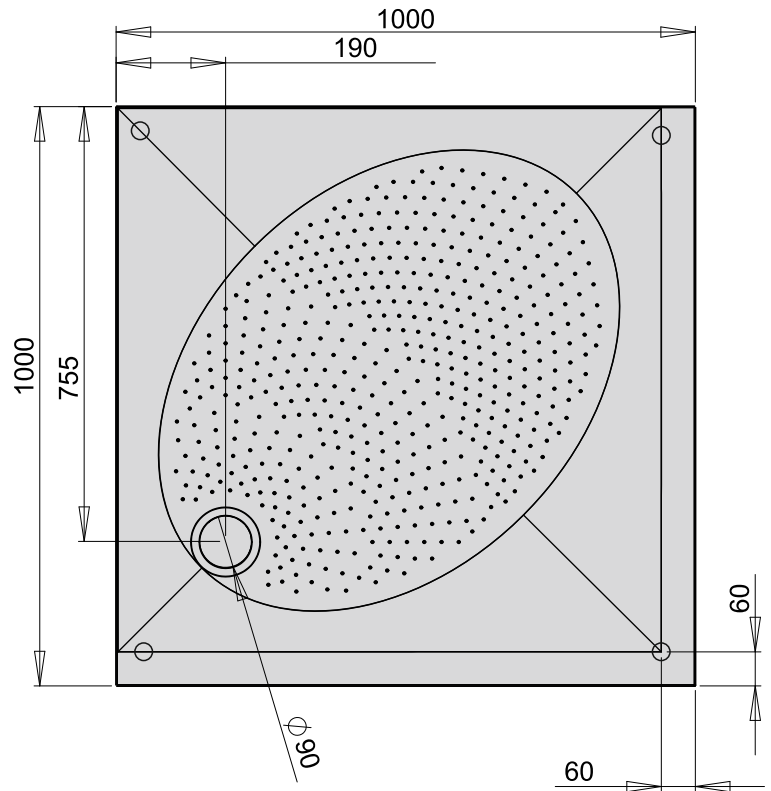


**KV 800**



**KV 900**



**KV 1000**

- Allowable deviation limit of product's length and width up to 1 meter:  $\pm 5\text{mm}$ ; over 1 meter:  $-5\text{mm} / +10\text{mm}$ .
- PAA reserves the right to discontinue or change models, colours and design specifications without prior notice and without incurring of any obligations.